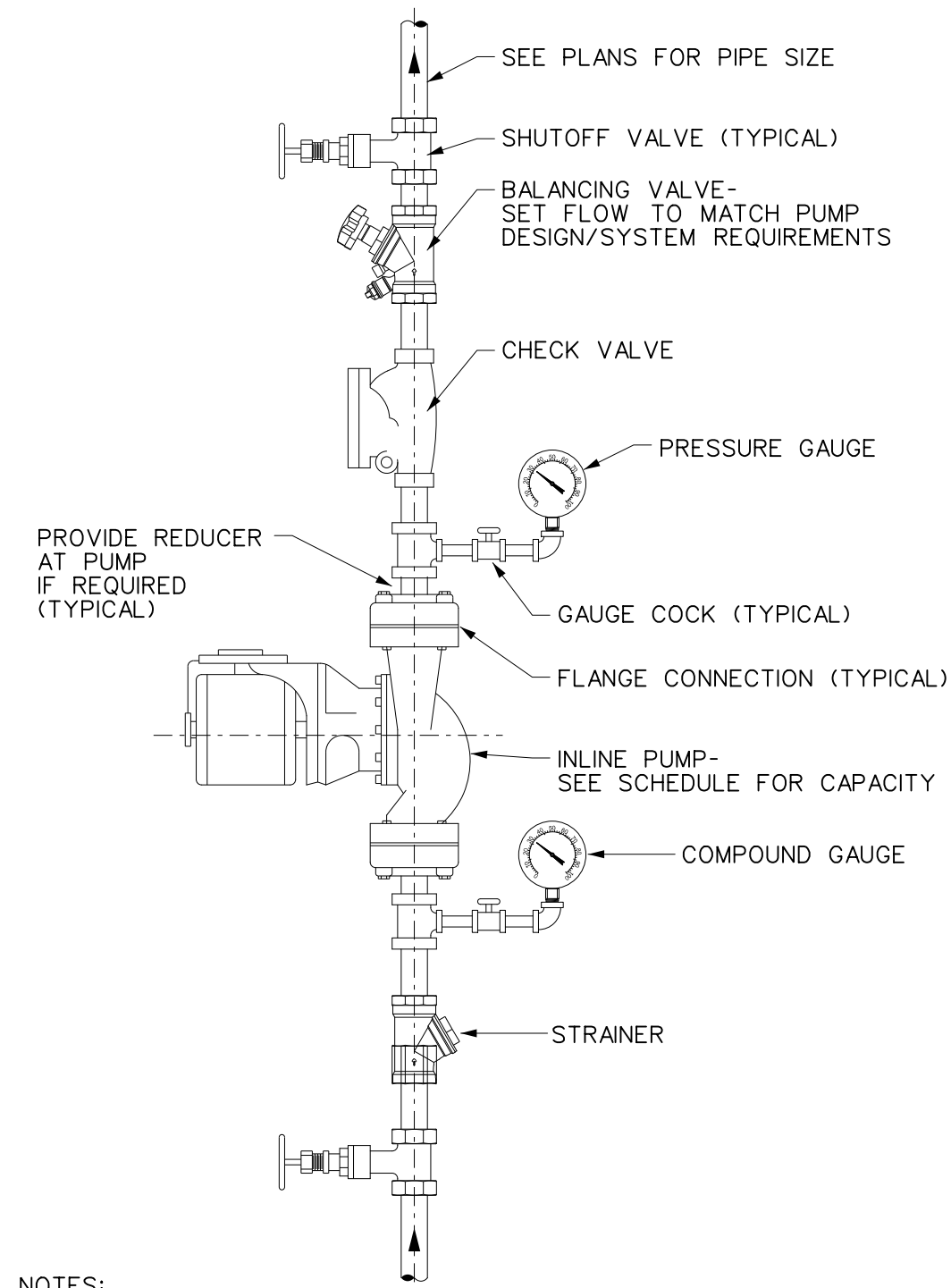


DETAIL NOTES:

- A. PROVIDE A PIPE LABEL FOR EACH PIPE FUNCTION.
- B. PROVIDE AT LEAST ONE LABEL ON EACH PIPE FOR EVERY ROOM THE PIPE PASSES THROUGH.
- C. PROVIDE LABELS IN LARGE SPACES ON MAXIMUM 20'-0" CENTERS FOR EVERY PIPE UNLESS OTHERWISE NOTED IN THE SPECIFICATIONS.
- D. LABELS TO BE LOCATED IN AN EASILY VISIBLE LOCATION AS THEY WOULD NORMALLY BE SEEN, I.E. ON THE BOTTOM HALF OF PIPES IN THE AIR AND ON THE TOP HALF OR SIDES OF PIPES MOUNTED LOW.
- E. LABELS SHALL BE COLOR CODED, PRE-PRINTED, SELF ADHESIVE VINYL.
- F. SEE SPECIFICATION FOR OTHER REQUIREMENTS AND LIST OF PIPE FUNCTIONS.

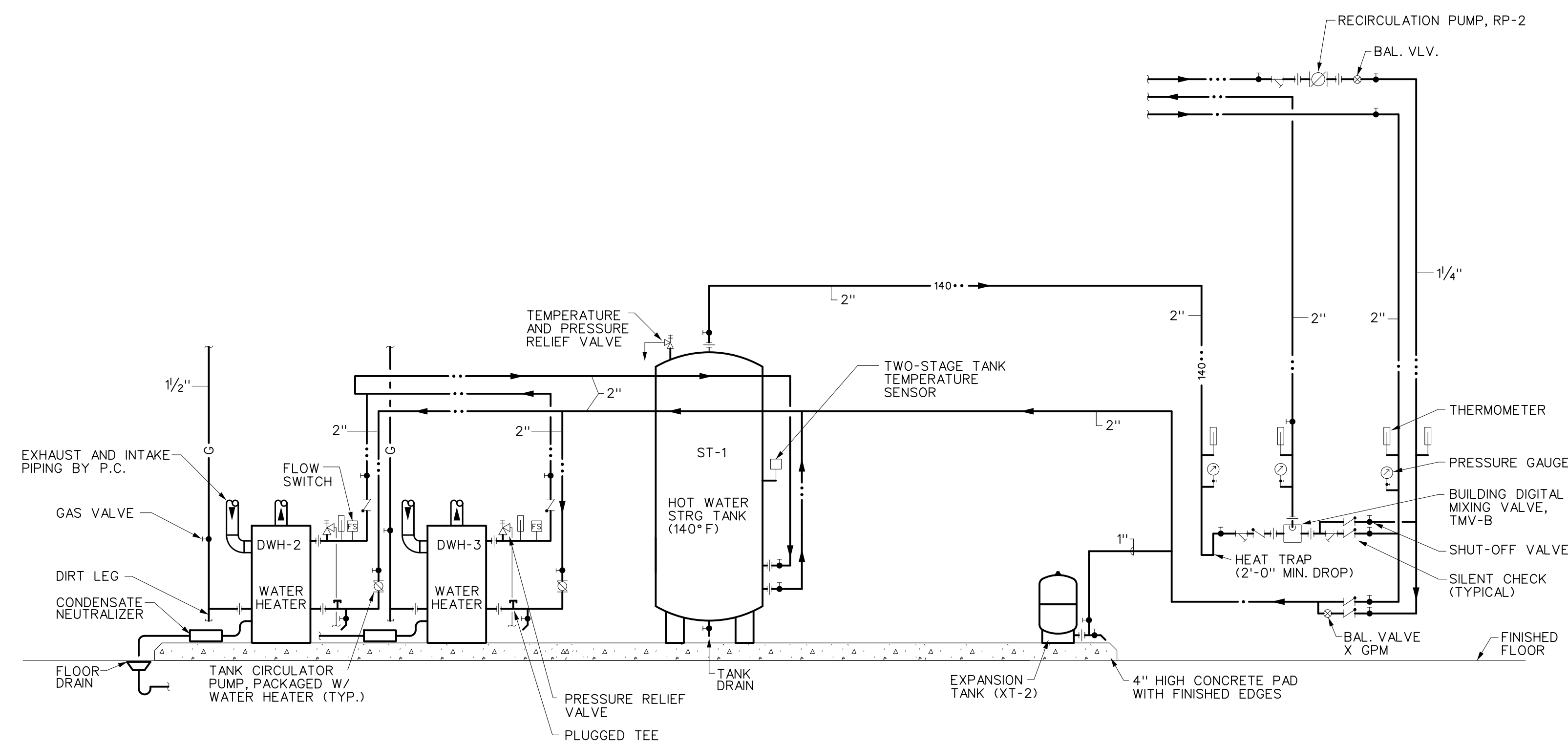
1 PIPING IDENTIFICATION LABEL DETAIL



DETAIL NOTES:

- A. PRESSURE GAUGES - SELECT GAUGE RANGE TO PLACE MAXIMUM SYSTEM OPERATING PRESSURE IN MIDDLE THIRD OF RANGE.
- B. PROVIDE UNION ON PUMP INLET AND OUTLET IF PUMP IS NOT FLANGED.
- C. INSTALL PUMP WITH SHAFT HORIZONTAL. PIPING MAY BE INSTALLED VERTICAL AS SHOWN OR HORIZONTAL DEPENDING ON SITE CONDITIONS.
- D. INSTALL CHECK VALVE HORIZONTALLY OR VERTICALLY WITH FLOW UPWARD.

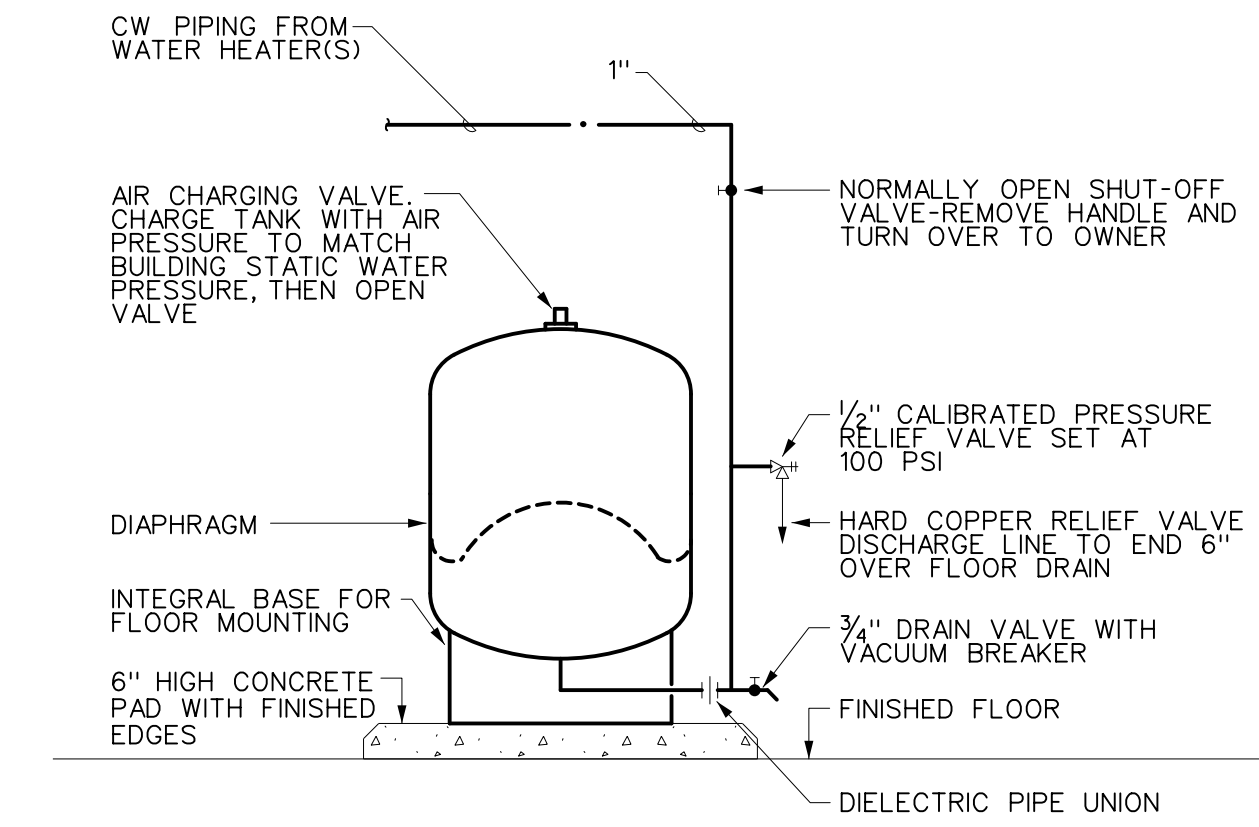
2 INLINE PUMP DETAIL



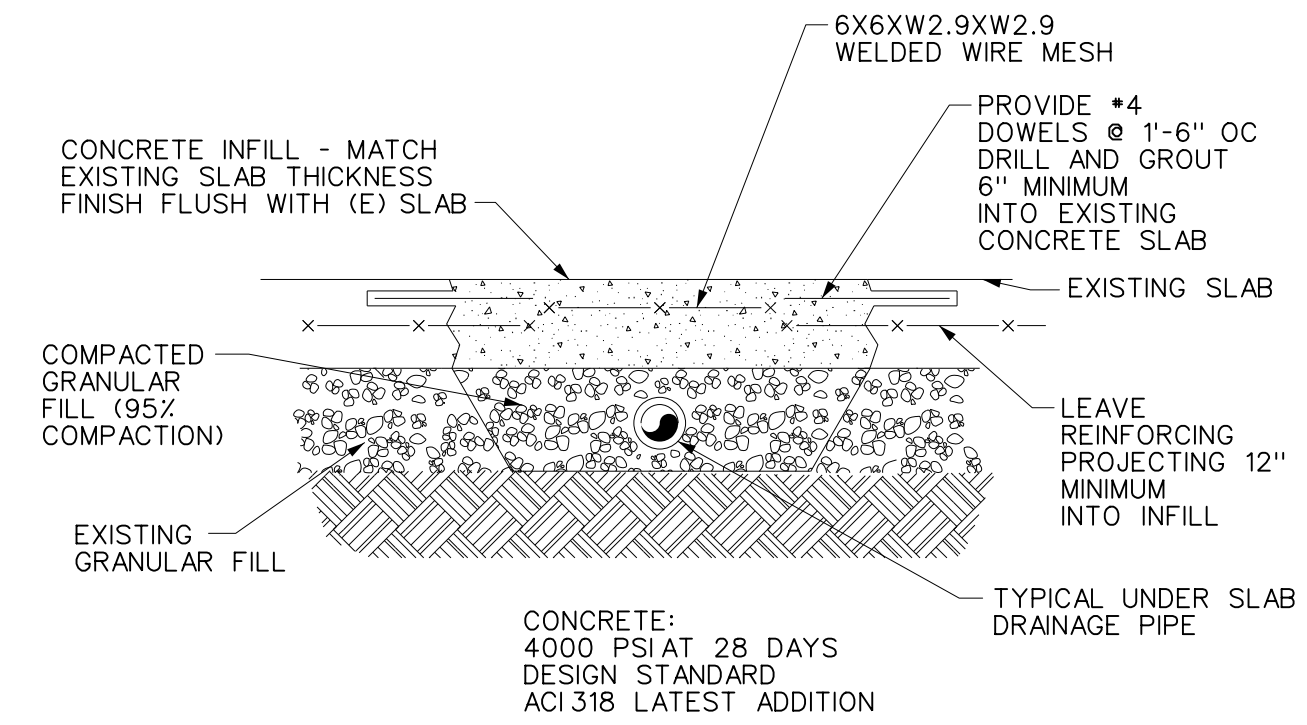
DETAIL NOTES:

- A. INSTALL PIPING TO ALLOW FOR FUTURE REMOVAL OF WATER HEATERS & TANKS.
- B. PROVIDE REVERSE RETURN PIPING BETWEEN TANKS & WATER HEATERS AND BALANCED HEADERS AT THE HOT WATER TANKS AS SHOWN. (NO BULLHEAD TEES)
- C. RELIEF VALVE DISCHARGE PIPE SIZE SHALL MATCH VALVE OUTLET SIZE. TERMINATE ABOVE FLOOR DRAIN WITH CODE REQUIRED AIR GAP.
- D. PROVIDE AQUASTAT AT FURTHEST POINT ON DOMESTIC HOT WATER SUPPLY SYSTEM, OR AS SHOWN ON FLOOR PLANS, AND PROVIDE WIRING TO INTERLOCK WITH HEATER CONTROLS.
- E. CHARGE EXPANSION TANK AIR CHAMBER TO COLD WATER SYSTEM STATIC PRESSURE BEFORE OPENING VALVE TO SYSTEM.
- F. PROVIDE CONDENSATE NEUTRALIZER, CONNECT 1/2" CPVC PIPING TO WATER HEATERS AND NEUTRALIZER. TERMINATE CONDENSATE DRAIN ABOVE FLOOR DRAIN WITH CODE REQUIRED AIR GAP.
- G. WATER HEATERS SHALL BE WIRED TOGETHER IN CASCADE SEQUENCE. ONE HEATER SHALL BE DESIGNATED AS PRIMARY HEATER AND THE OTHER SHALL BE DESIGNATED AS SECONDARY HEATER. VERIFY WIRING REQUIREMENTS WITH WATER HEATER MANUFACTURER.

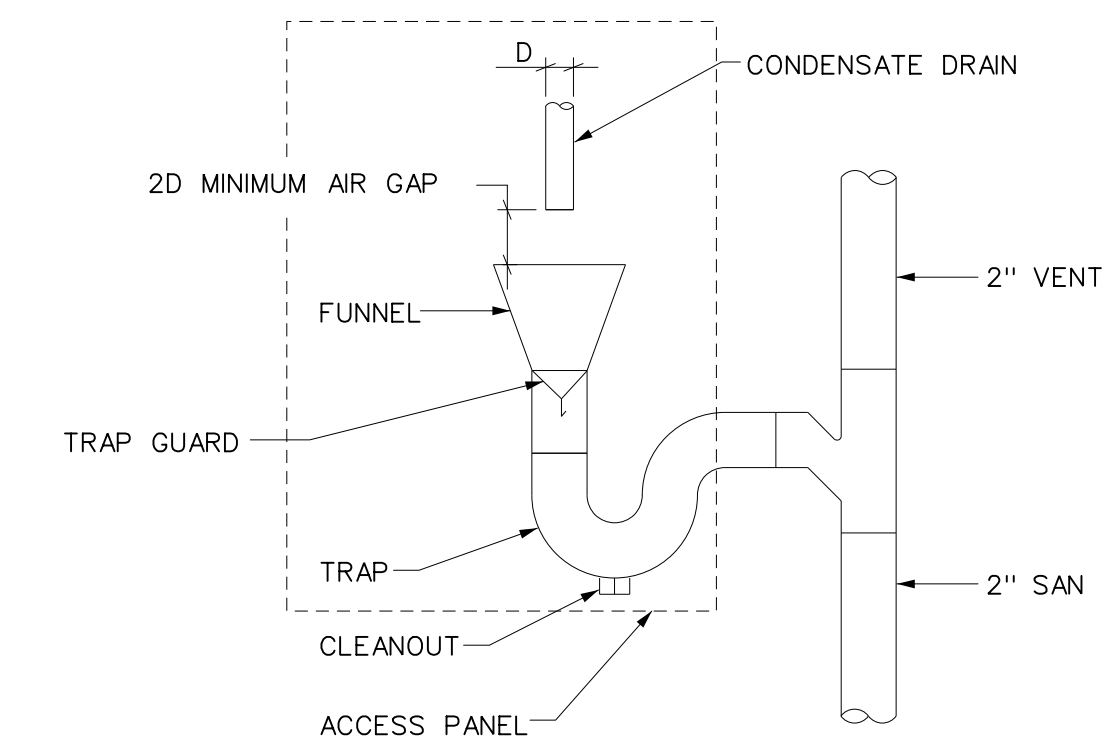
4 WATER HEATER DETAIL



3 THERMAL EXPANSION TANK DETAIL

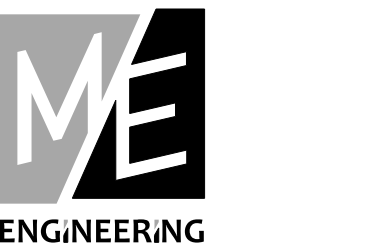


5 INFILL AT OPENING IN EXISTING CONCRETE SLAB DETAIL



6 INDIRECT WASTE DRAIN DETAIL - SANITARY

Consultant:



Mechanical/Electrical Engineering Consultants

ME Project # 180329

130 N. CHESTER ST. ROCHESTER, NY 14604

Revision:

1 7/26/19 CONFORMANCE SET

Architect of Record:

Drawn: ZPS

Checked: THK

Scale: AS NOTED

Key Plan:

Project Name:

SENCIT APARTMENTS

ARCTIC AVENUE
ATLANTIC CITY, NJ

Sheet Name:
**SCHOOL HOUSE APTS.
BUILDING A & B:**

DETAILS - PLUMBING

Project Number:

18116

Issue Date:

JUNE 26, 2019

Sheet Number:

P5.SAB.01